



IndigoVision®

a Motorola Solutions Company

8MP

12MP



SP Fisheye Camera

360° Megapixel video that delivers detail from every angle

The SP Fisheye Camera is a cost-effective and easy-to-install solution that provides 360° panoramic views of large areas from a single vantage point, bringing superior situational awareness without any blind spots. Proudly made in North America, facilities such as schools, retailers, offices, hospitals and manufacturing plants can leverage the camera’s high-resolution video to monitor processes and optimize operational efficiencies.

Key Features & Benefits



360° PANORAMIC VIEWS

Provides 360° coverage from a single vantage point to help lower overall video security deployment costs.



H.264/H.265 WITH SMARTCODEC TECHNOLOGY

Reduce costs by maximizing bandwidth utilization and storage consumption without compromising image quality.



IP AND IK RATED

Trust the robustness and reliability of your system with IP66/67 weather rating and IK10 impact rating for vandal resistance.



ONVIF® COMPLIANT

Built on an open platform to allow integration with other security solutions, so you can expand your existing security system.



EXPANDABLE STORAGE

Use our slot for a MicroSD memory card and get video recordings even during network interruptions.



5 YEAR WARRANTY

Gain peace of mind with products backed by a 5-year, industry-leading warranty.



WIDE DYNAMIC RANGE

Capture details in scenes with both very bright and dark areas, so you can detect suspicious activity in all lighting conditions.



ADAPTIVE INFRARED (IR)

Automatically adjusts IR performance based on scene conditions to help maximize image quality.



AUDIO RECORDING CAPABILITIES

Built-in microphone offers an optional audio recording capability for additional evidentiary detail.



RELAY I/O CONNECTIONS FOR FAST RESPONSE

Configure input actions (such as alarms) that trigger an external relay to perform an action (e.g., turn lights on).



NDAA COMPLIANT

Approach US government with confidence, knowing our cameras comply with the National Defense Authorization Act.

Specifications

Image Performance	8.0 MP	12.0 MP
Sensor	1/1.8" progressive scan CMOS	1/2.3" progressive scan CMOS
Active Pixels (H x V)	2048 x 2048	3008 x 3008
Imaging Area (H x V)	4.096 mm x 4.096 mm	4.662 mm x 4.662 mm
Max Image Rate	(50 Hz/60 Hz): 25 fps/30 fps	
Dynamic Range	Up to 83 dB (WDR off); Up to 120 dB (WDR on)	
Camera Operating Mode	No modes	Full feature or High framerate mode (Analytics disabled in High framerate mode)
Bandwidth Management	SmartCodec technology	
3D Noise Reduction Filter	Yes	

Lens and IR Illumination	8.0 MP	12.0 MP
Lens	1.4 mm	1.6 mm
IR Illumination Max Distance (high power 850 nm LEDs)	17 m (55 ft) max distance at 0 lux	12 m (39 ft) max distance at 0 lux
Minimum Illumination	With IR	0 lux
	Without IR	0.10 lux in monochrome mode; 0.20 lux in color mode
Horizontal Angle of View (HFOV)	180°	
Field of View	360°	
Max Aperture	F2.0	
Control	Fixed iris	

Image Control	
Image Compression Method	H.264 SmartCodec, H.265 SmartCodec, Motion JPEG
Streaming	Multi-stream H.264, Multi-stream H.265, Motion JPEG
Motion Detection	Selectable sensitivity and threshold
Electronic Shutter Control	Automatic, Manual (1/6 to 1/8000 sec)
Iris Control	Fixed
Day/Night Control	Automatic, Manual
Flicker Control	60 Hz, 50 Hz
White Balance	Automatic, Manual
Backlight Compensation	Adjustable
Privacy Zones	Up to 64 zones

Network	
Network	100BASE-TX, RJ45 Connector, CAT5e Cabling
ONVIF	ONVIF compliance Profile S, Profile T, and Profile G (www.onvif.org)
Security	Password protection, HTTPS encryption, digest authentication, WS authentication, user access log, 802.1x port based authentication
Protocol	IPv6, IPv4, HTTP, HTTPS, SOAP, DNS, NTP, RTSP, RTCP, RTP, TCP, UDP, IGMP, ICMP, DHCP, Zeroconf, ARP
Streaming Protocols	RTP/UDP, RTP/UDP multicast, RTP/RTSP/TCP, RTP/RTSP/HTTP/TCP, RTP/RTSP/HTTPS/TCP, HTTP
Device Management Protocols	SNMP v2c, SNMP v3
Software Requirements	Control Center v17.2 or later

Peripherals	
Onboard Storage	2 x microSD/microSDHC/microSDXC slots – video speed class card required. Class V10 or better recommended. Currently one of the two SD card slots is available for onboard storage.

Auxiliary I/O	
Audio Compression Method	Opus, G.711 PCM 8 kHz
Audio Input/Output	Line level I/O and built-in microphone (can be enabled)
External I/O Terminals	Alarm In, Alarm Out

Specifications

Mechanical		
Dimension (LxWxH)	Camera	145.5 mm x 145.5 mm x 62 mm; 5.72" x 5.72" x 2.44"
	With Mounting Plate	145.5 mm x 145.5 mm x 62 mm; 5.72" x 5.72" x 2.44"
	With NPT Adapter	158 mm x 158 mm x 103 mm; 6.2" x 6.2" x 4.1"
Weight	Camera	0.52 kg (1.15 lbs)
	With Mounting Plate	0.605 kg (1.33 lbs)
	With NPT Adapter	0.838 kg (1.83 lbs)
Dome Bubble	Polycarbonate, clear	
Body	Aluminum	
Housing	Aluminum	
Finish	Cast, powder coated, close to RAL9002	

Electrical	
Power Consumption	With IR: 26 W Without IR: 11 W
Power Source	VDC: 12 V +/-10%, 26 W min PoE: IEEE 802.3af Class 3 PoE+: IEEE 802.3at Class 4
Power Connector	2-pin terminal block
RTC Battery Backup	3V manganese lithium

Environmental	
Operating Temperature	-40 °C to +60 °C (-40 °F to 140 °F)
IR Illuminator Behavior	IR illuminator will turn off if the temperature is 55 °C (131 °F) or higher. The illuminator will operate at 75% power if the temperature is between 27 °C (80 °F) and 39 °C (102 °F) and will operate at 40% power if the temperature is between 39 °C (102 °F) and 55 °C (131 °F). Hysteresis: 2 °C (3.6 °F).
Storage Temperature	-10 °C to +70 °C (14 °F to 158 °F)
Humidity	0-95% non-condensing

Certifications	
Certifications / Directives	UL, cUL, CE, ROHS, RCM, EAC
Safety	UL 62368-1, CSA 62368-1, IEC/EN 62368-1, IEC 62471
Environmental	IK10 Impact Rating, IP66 and IP67 Weather Rating
Electromagnetic Emissions	FCC Part 15 Subpart B Class B, IC ICES-003 Class B, EN 55032 Class B, EN 61000-6-3, EN 61000-3-2, EN 61000-3-3
Electromagnetic Immunity	EN 55035, EN 61000-6-1

Analytics Specifications

Supported Analytics Events	
Objects in Area	The event is triggered when the selected object type moves into the region of interest.
Object Loitering	The event is triggered when the selected object type moves into the region of interest and then stays for an extended amount of time.
Objects Crossing Beam	The event is triggered when the specified number of objects have crossed the directional beam that is configured over the camera's field of view. The beam can be unidirectional or bidirectional.
Object Appears or Enters Area	The event is triggered by each object that enters the region of interest. This event can be used to count objects.
Object Not Present in Area	The event is triggered when no objects are present in the region of interest.
Objects Enter Area	The event is triggered when the specified number of objects have entered the region of interest.
Objects Leave Area	The event is triggered when the specified number of objects have left the region of interest.
Object Stops in Area	The event is triggered when an object moves into a region of interest and then stops moving for the specified threshold time.
Direction Violated	The event is triggered when an object moves in the prohibited direction of travel.
Tamper Detection	The event is triggered when the scene unexpectedly changes.

Supported Classified Object Types	
Object Types in Indoor Mode	Person

Ordering Information

Model	Product Code	MP	WDR	Lens	IR	IP66/IP67	SmartCodec	Low Light Technology
SP-8MP-DO-IR	752740	8.0	✓	Fisheye 1.4 mm	✓	✓	✓	✓
SP-12MP-DO-IR	754740	12.0	✓	Fisheye 1.6 mm	✓	✓	✓	

Optional Camera Accessories

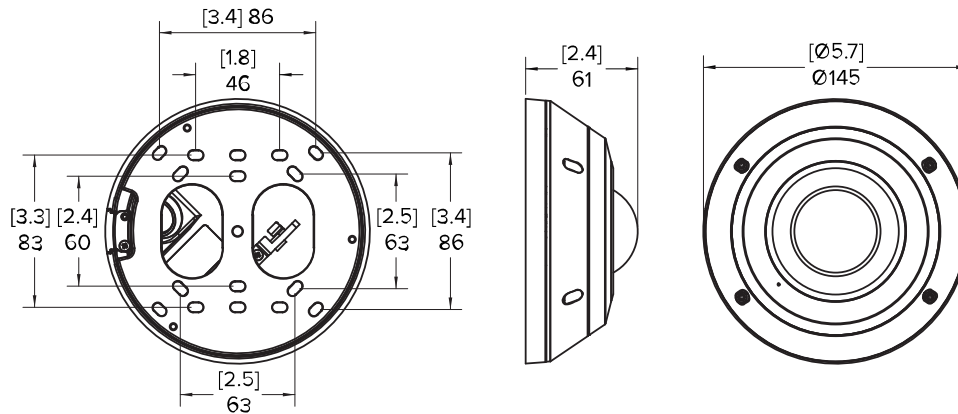
Display Part Number	Product Code	Description
SP-FISHEYE-AD-NPT	150260	NPT adapter for the SP Fisheye camera
BX-DP-WALL-MNT	150505	Pendant wall mount, compatible with SP-FISHEYE-AD-NPT
CRNR-MNT	150507	Aluminum corner mounting bracket, compatible with BX-DP-WALL-MNT
SP-FISHEYE-COVR-CLR	150415	Package of 3 dome replacement parts for SP Fisheye camera
SP-FE-ACC-KIT1	150556	SP Fisheye Camera Accessory Kit

Outline Dimensions

Surface Mount Camera

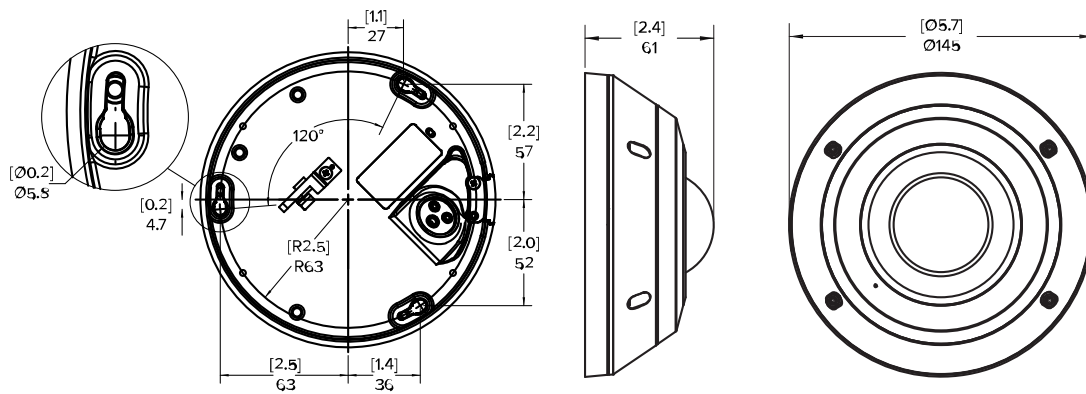
(SP-DO-IR with mounting plate)

[X.X]	INCHES
X	MM



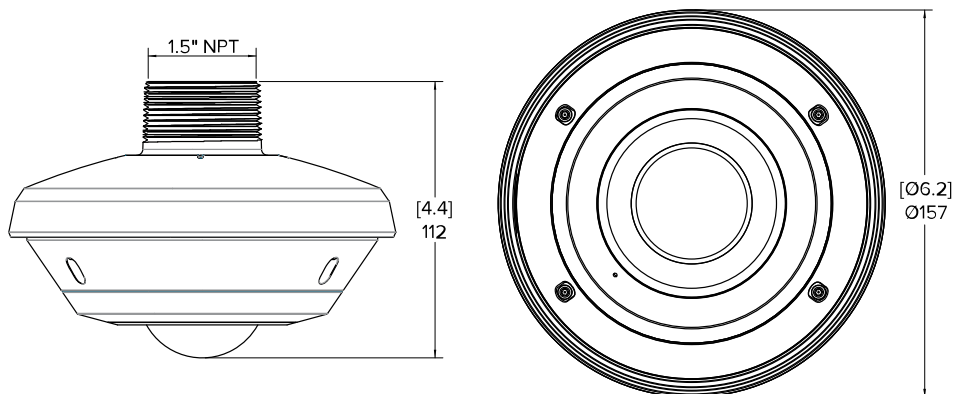
Surface Mount Camera

(SP-DO-IR without mounting plate)



Pendant Mount Camera

(SP-DO-IR with SP-FISHEYE-AD-NPT NPT Adaptor)



ID: SPFISH 21.1 AUG 21